

HDA - DOUBLE ACTING HIGH TONNAGE CYLINDERS

HDA506



HDA5013



Capacities from 25 to 1012 tonnes

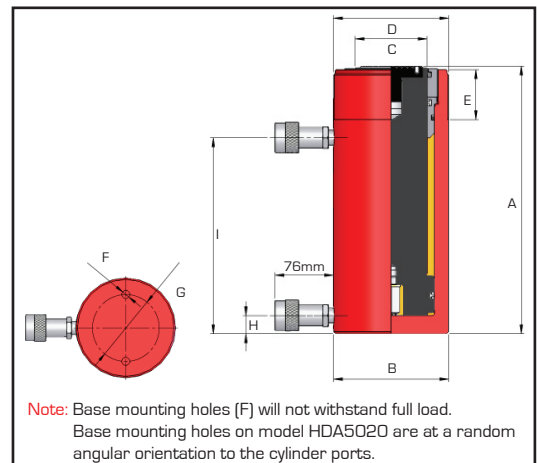
Stroke lengths from 152 to 508mm

Working pressure 700 Bar

The HDA double acting cylinder range offers the utmost in versatility and durability. Specifically designed for heavy duty lifting, construction and maintenance applications as well as presswork and industrial production, the double acting design provides substantial pulling force in the piston retraction mode as well as providing fast, controlled retraction for continuous duty cycle operation. All models up to 203 tonnes are supplied with flat saddle, piston rod threads and collar threads as standard. Models from 326 tonnes and upwards are supplied without collar thread and piston rod thread, however include replaceable tilting saddle as standard.

- >> Internal annular area overload protection valve
- >> Low friction bearing surfaces
- >> Nitrocarburised piston rod
- >> Anti-extrusion seals
- >> Lifting ring as standard on models from 50 to 109 tonnes
- >> Eyebolts as standard on models from 152 to 1012 tonnes
- >> Base mounting holes*

*Base mounting holes are for location of cylinder only. They are not designed to resist the full capacity of the cylinder



Optional piston rod saddles on pages 26 - 27



Model number	Capacity		Stroke mm	Oil cap. litres	Cyl. eff. area cm ²	Weight kg
	Push tonnes	Pull tonnes				
HDA256	25	10	152	0.53	34.9	15.0
HDA506	50	15	152	1.08	71.3	28.4
HDA5013	50	15	330	2.35	71.3	42.6
HDA5020	50	15	508	3.62	71.3	62.8
HDA1006	109	36	152	2.33	153.3	64.5
HDA10013	109	36	330	5.06	153.3	89.0
HDA1506	152	79	152	3.26	214.2	90.0
HDA15012	152	79	305	6.53	214.2	120.5
HDA2006	203	94	152	4.33	285.2	129.8
HDA20012	203	94	305	8.69	285.2	167.4
HDA3006	326	-	152	6.95	457.4	193.0
HDA4006	398	-	152	8.49	558.9	286.0
HDA5006	520	-	152	11.09	729.9	372.0
HDA8006	809	-	152	17.28	1134.1	650.0
HDA10006	1012	-	152	21.62	1419.3	900.0

Dimensions in mm (unless otherwise stated)								
A	B	C	D	E	F*	G	H	I
287	92	50	3 5/16"-12un	53	M10	60	30	212
295	127	79	5"-12un	55	M12	85	20	216
473	127	79	5"-12un	55	M12	85	20	394
730	127	79	5"-12un	55	M12	85	68	636
304	185	114	6 7/8"-12un	51	M12	146	30	226
482	185	114	6 7/8"-12un	51	M12	146	30	404
310	210	114	8"-12un	55	M16	160	35	231
463	210	114	8"-12un	55	M16	160	35	384
327	254	140	9 3/4"-12un	65	M20	185	43	238
480	254	140	9 3/4"-12un	65	M20	185	43	391
409	312	165	Optional	Optional	M20	158	50	262
431	360	216	Optional	Optional	M24	203	55	277
470	397	203	Optional	Optional	M24	203	65	300
535	500	300	Optional	Optional	Optional	Optional	70	318
590	540	320	Optional	Optional	Optional	Optional	99	357

Note: Other capacities and stroke lengths available on request