

HAS - SINGLE ACTING LIGHTWEIGHT ALUMINIUM CYLINDERS

B



Capacities from 32 to 110 tonnes

Stroke length 152mm

Working pressure 700 Bar

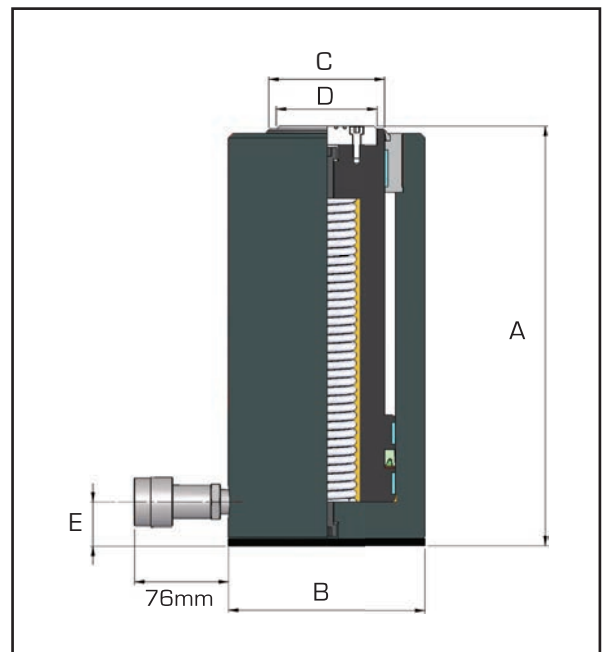
The HAS range of single acting, lightweight, aluminium cylinders is specifically designed for applications where weight and ease of positioning are features of prime importance. With an average weight of approximately 50% of comparable capacity steel construction cylinders, all models are supplied with a hard anodised, wear resistant, piston rod and cylinder body and a steel cylinder base protection plate. Available lifting capacities range from 32 to 110 tonnes capacity, at maximum working pressure of 700 Bar. All models are commonly used in a wide variety of industrial applications in shipyards, steel mills, construction and power plants. Other capacities and stroke length options available on request.

- >> Spring assisted return
- >> Hard anodised piston rod and cylinder
- >> Steel base plate to protect cylinder body
- >> Low friction bearing surfaces
- >> Optional piston rod saddles (see pages 26 - 27)



Please Note

Aluminium cylinders offer the benefit of greatly reduced weight compared to conventional steel cylinders. However, due to the inherent nature of the material, are not recommended for use in high cycle production applications. The recommended life cycle is estimated at approximately 5000 operations at maximum pressure, which in most lifting and maintenance applications represents a more than acceptable period of usage.



Model number	Capacity tonnes	Stroke mm	Oil cap. cm ³	Cyl. eff. area cm ²	Weight kg
HAS306	32	152	672	44.2	6.0
HAS506	51	152	1077	70.9	9.0
HAS1006	110	152	2340	153.9	23.0

Dimensions in mm				
A	B	C	D	E
282	104	60	50	20
287	135	80	70	25
317	195	110	100	35

Note: Other capacities and stroke lengths available on request