



EQUALIZERTM
INTERNATIONAL

FLANGE TOOL INNOVATION

PRODUCT DATA SHEET

NS20TE

EXTERNAL HYDRAULIC
NUT SPLITTER

RANGE OF APPLICATION FOR FLANGE NUTS:

HEX NUT A/F: 36.0 mm - 46.0 mm (1.42" - 1.81")
 H: Max 30.3 mm (1.19")

TOOL WEIGHT:

6.9 kg (15.2 lb)

KIT CONTENTS

- 1 x NS20TE Nut Splitter
- 1 x Spare Cutting Tip
- 1 x Spare Tip Retention Screw
- 1 x Spare Alignment Screw
- 1 x Set of Hex Keys
- 1 x Safety Lanyard
- 1 x Instruction Manual
- 1 x Carry Case

Product Code: NS20TEMIN



WEIGHTS AND DIMENSIONS



Tool Weight: 6.9 kg (15.2 lb)
Gross Kit Weight: 10.2 kg (22.5 lb)

Carry Case Dimensions:
580 mm x 350 mm x 180 mm
(22.8" x 13.8" x 7.1")

Minimum Pump Oil Capacity:
80.0 cc (4.9 in³)

info@equalizerinternational.com
www.equalizerinternational.com

NS20TE

EXTERNAL HYDRAULIC NUT SPLITTER



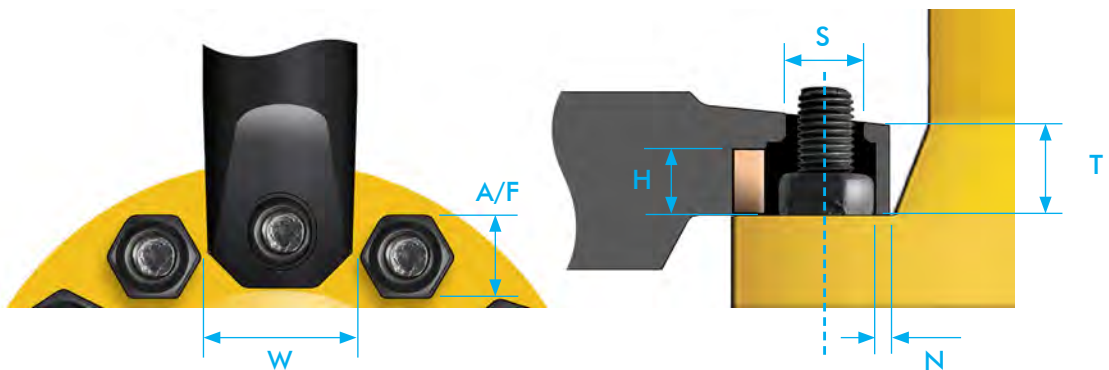
FLANGE TOOL INNOVATION

RANGE OF APPLICATION FOR FLANGE NUTS

NS TOOL	UNC HEAVY HEX STUD SIZE	UNC HEAVY NUT A/F SIZE	METRIC STUD SIZE	METRIC NUT A/F SIZE
NS20	7/8", 1", 1-1/8"	1.44" to 1.81"	M24, M27, M30	36 mm to 46 mm

PLEASE REFER TO OUR WEBSITE www.equalizerinternational.com FOR INFORMATION ON THE COMPLETE EQUALIZER NUT SPLITTER RANGE

SPATIAL ENVELOPE



	DIMENSION	MEASURED FROM	MEASURED TO	MINIMUM	MAXIMUM
A/F	Across Flats	Nut Hex Flat	Nut Hex Flat	-	55 mm (2.16")
W	Clear Width	Side Obstruction	Side obstruction	83.5 mm (3.29")	-
S	Protruding Stud Diameter	Stud OD	Stud OD	-	39.0 mm (1.53")
H	Cutting Height	Flange Face	Top of Nut	-	34.0 mm (1.34")
N	Nose Clearance	Nut Flat	Frontal Obstruction	16.0 mm (0.63")	-
T	Nose Height	Flange Face	Top of Nose	44mm (1.73")	